

Technical data sheet

Ion Charging station Basic

Item no. 6570020



The Ion charging station for the charging of electrical vehicles in private areas as a singular charging point. Suitable for permanent mounting on the wall in interior or protected exterior areas.

- Charging according to Mode 3 in accordance with IEC 61851-1
- Single, double and three-phase charging
- Suitable for TN and TT networks
- Integrated temperature monitoring
- DC error current monitoring
- Status information via LED display
- Prewired, ready for connection
- Including 5 m charging cable with type 2 charging connector and cable bracket
- Supply from above or below
- Stainless steel design elements
- Charging power can be limited to a fixed value, factory-set value 11 kW
- Modbus RTU protocol via RS-485 interface for bidirectional communication
- Can be controlled via Modbus RTU for dynamic load management, dynamic PV-optimised charging and digital authentication (via web/app) with external control (ASKI, Smart1Solutions, Loxone, Comexio)
- Potential-free enable contact, e.g. for PV systems, ripple control receiver



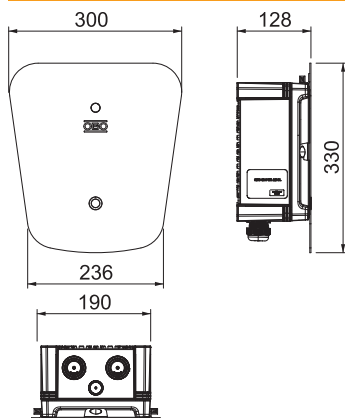
PC Polycarbonate

L Painted

Master data

Item no.	6570020
Type	WB AC BL
Description 1	Charging station
Description 2	Basic
Dimension	330x300x127
Colour	Black
Material	Polycarbonate
Material symbol	PC
Surface	Painted
Surface symbol	L
Smallest sales unit (VG)	1 Piece
Weight	613,20 kg/100 pc.

Technical data



Width	300,00 mm
Height	330,00 mm
Depth	127,00 mm
Connection type	3-phase
Nominal connection output	22,00 kW
Max. output per charging point	22,00 kW
Mounting type	Wall mounting
Access control function	<input type="checkbox"/>
Surge protection	<input type="checkbox"/>
Number of charging points	1
Number of CEE sockets	0
Number of SCHUKO sockets	0
Number of CHAdEMO charging connectors	0
Number of GB AC charging connectors	0
Number of GB DC charging connectors	0

Technical data sheet

Ion Charging station Basic

Item no. 6570020



Technical data

Number of type 1 CCS charging connectors	0
Number of type 1 charging connectors	0
Number of type 2 charging connectors	1
Number of type 2 CCS charging connectors	0
Number of GB charging sockets	0
Number of type 2 charging sockets	0
Number of type 3 charging sockets	0
Number of type A Fi switches	0
Number of type B Fi switches	0
With energy meter	<input type="checkbox"/>
With domestic junction box (HAK)	<input type="checkbox"/>
With communication interface	<input checked="" type="checkbox"/>
With load management	<input type="checkbox"/>
With circuit breaker	<input type="checkbox"/>
Protection rating	IP66
Protection rating IK code	IK08